



250 Staunton Turnpike, Parkersburg, WV 26104

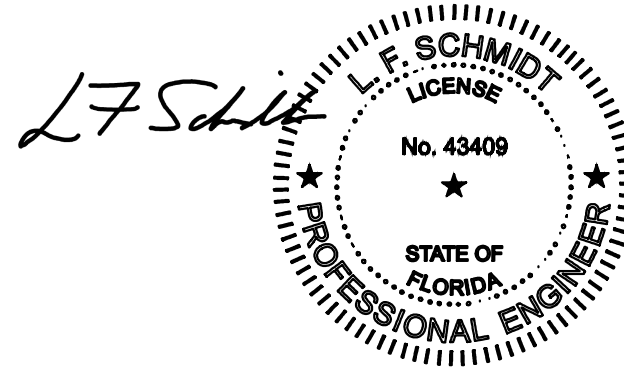
WINCORE FIBERGLASS ENTRY DOOR INSWING / OUTSWING "IMPACT"

GENERAL NOTES

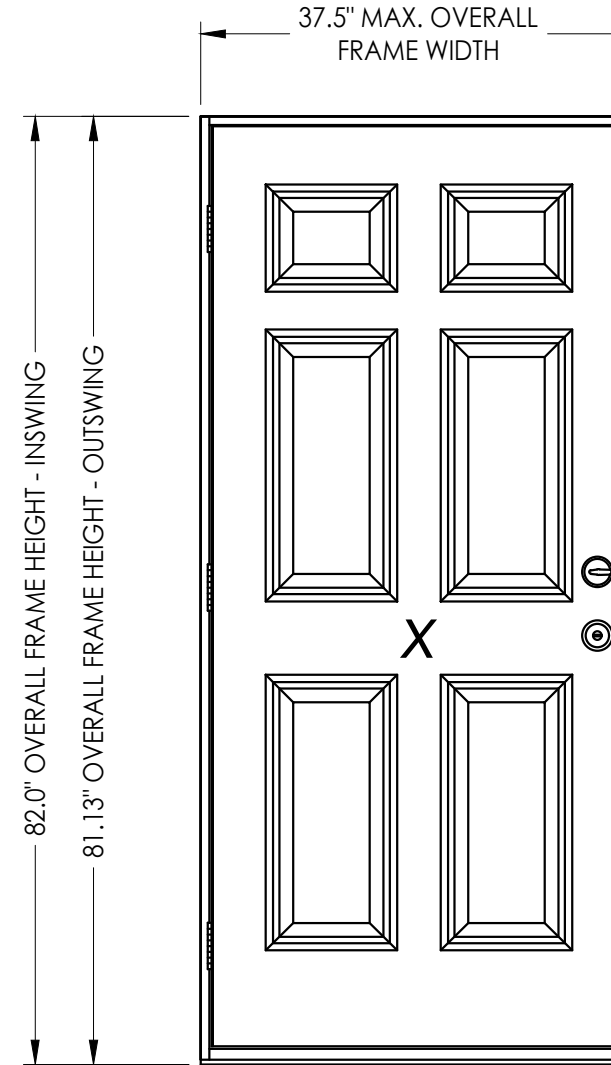
1. This product has been evaluated and is in compliance with the 8th Edition (2023) Florida Building Code (FBC) structural requirements including the "High Velocity Hurricane Zone" (HVHZ).
2. Product anchors shall be as listed and spaced as shown on details. Anchor embedment to base material shall be beyond wall dressing or stucco.
3. When used in the "HVHZ" this product complies with Section 1626 of the Florida Building Code and does not require an impact resistant covering.
4. When used in areas outside of the "HVHZ" requiring wind borne debris protection this product complies FBC Sections 1609.1.2 & R301.2.1.2 and does not require an impact resistant covering. This product meets missile level "D" and includes Wind Zone 4 as defined in ASTM E1996 and FBC Sections 1609.1.2.2 & R301.2.1.2.1.
5. For 2x stud construction, anchoring of these units shall be the same as that shown for 2x buck masonry construction.
6. Site conditions that deviate from the details of this drawing require further engineering analysis by a licensed engineer or registered architect.
7. Outswing configurations meet water infiltration requirements for "HVHZ". All other configurations do not meet the water infiltration requirements for the "HVHZ" and must be installed only in non-habitable areas or at habitable locations protected by an overhang or canopy such that the angle between the edge of canopy or overhang to sill is less than 45 degrees.

TABLE OF CONTENTS

SHEET #	DESCRIPTION
1	Typical elevation, design pressures, & general notes
2	Door panel details
3	Horizontal cross section
4	Vertical cross sections
5	3-point lock details
6	3-point lock details
7	Buck and frame anchoring
8	Bill of materials & components



This item has been digitally signed and sealed by L. F. Schmidt, P.E. on the date adjacent to the seal.
Printed copies of this document are not considered signed and sealed and the signature must be verified on any electronic copies.



CONFIGURATION	MAX. FRAME DIMENSION	DESIGN PRESSURE (PSF)	
		POSITIVE	NEGATIVE
X	37.5" x 82.0"	+75.0	-75.0

See Sheet 2 for hardware design pressure limitations

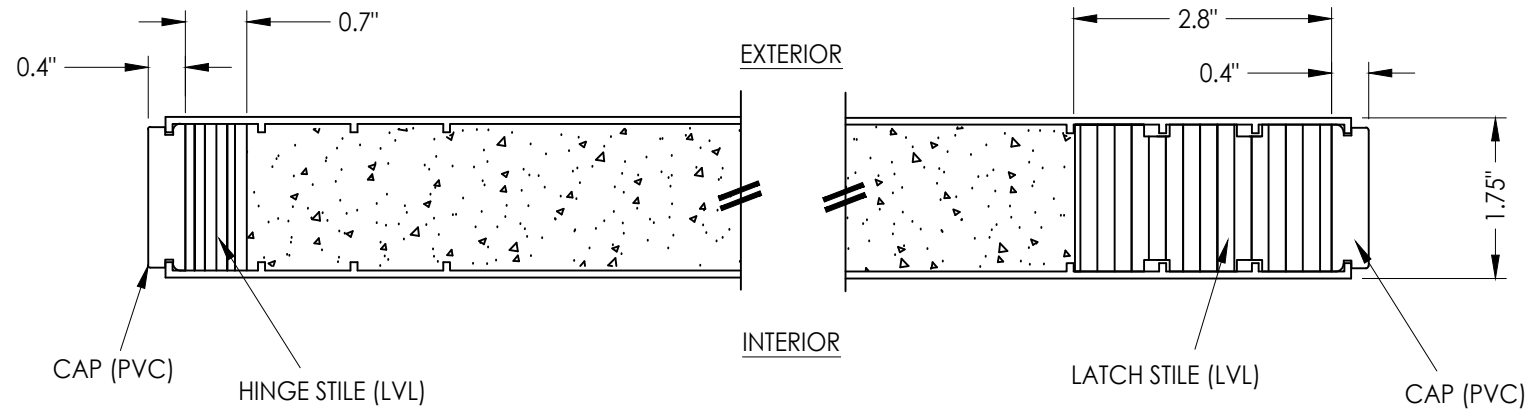
Documents Prepared By:
Lyndon F. Schmidt
P.E. No. 43409

RW
BUILDING CONSULTANTS, INC.
P.O. Box 230, Vairico, FL 33595
Phone No.: 813.659.9197
FBPE Registry No. 9813

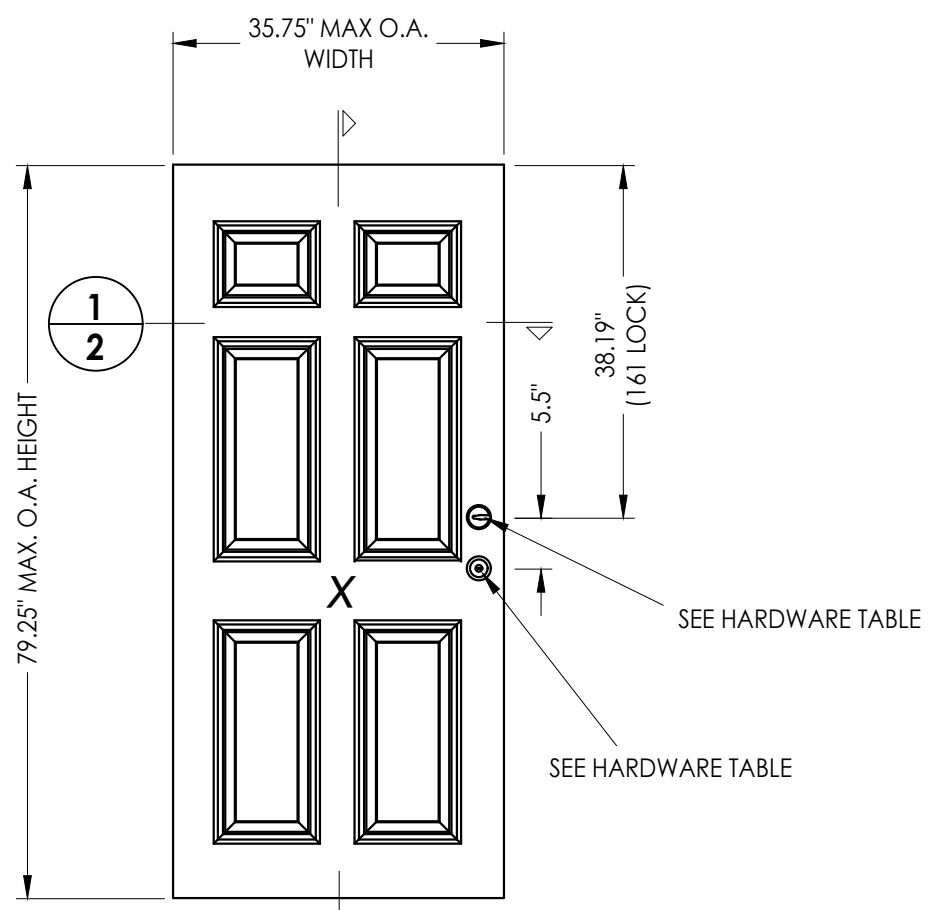
PRODUCT: WINCORE FIBERGLASS DOOR
PART OR ASSEMBLY:
TYPICAL ELEVATION, DESIGN PRESSURES & GENERAL NOTES

NO.	DATE	REVISIONS
4	7/06/23	UPDATE TO 8TH ED. (2023) FBC
3	7/06/20	UPDATE TO 7TH ED. (2020) FBC
2	6/1/17	UPDATE TO 6TH ED. (2017) FBC
1	2/6/15	UPDATE TO 5TH ED. (2014) FBC

DATE: 05/10/12
SCALE: N.T.S.
DWG. BY: JK
CHK. BY: LFS
DRAWING NO.: FL-15631.1
SHEET 1 OF 8



1
2 **HORIZONTAL CROSS SECTION**

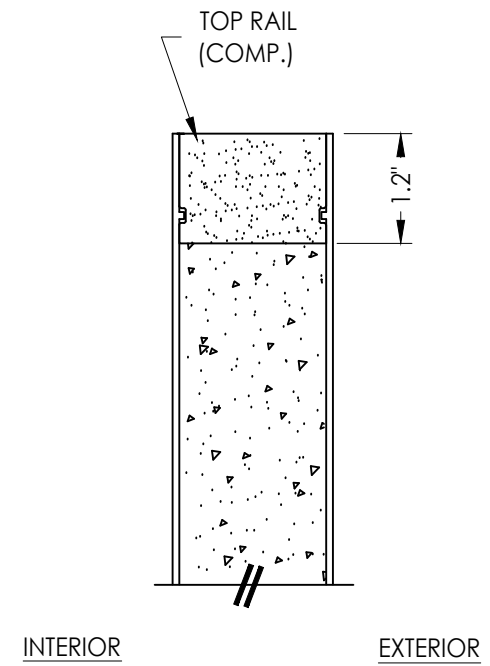


2
2 **DOOR PANEL**
Plastpro Fiberglass

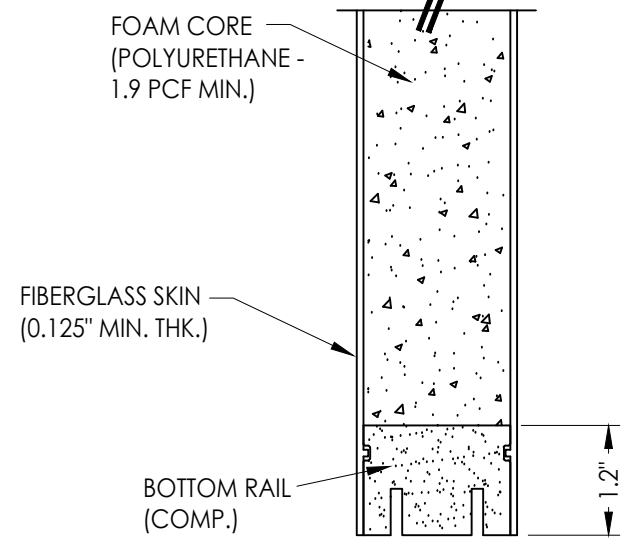
FIBERGLASS SKIN: 0.125" MIN. THK. (MIN. Fy = 11,860 PSI)

HARDWARE TABLE			
MANUFACTURER	MODEL		MAX. DESIGN PRESSURE (PSF)
KWIKSET	KNOB:	SIGNATURE SERIES	± 75
	DEADBOLT:	SIGNATURE SERIES (980)	
SCHLAGE	KNOB:	"F" SERIES (F51)	± 75
	DEADBOLT:	"B" SERIES (B60/62)	
PAMEX	LEVER:	FL3B SERIES	± 75
	DEADBOLT:	FD7 SERIES	
HOPPE	MULTI-POINT LOCK:	HLS9000 (3-POINT TONGUE)	± 50
ENDURA	MULTI-POINT LOCK:	TRILENNIUM "3000" SERIES	± 75

See Sheets 5 & 6 for multi-point lock details.



2
2 **VERTICAL CROSS SECTION**



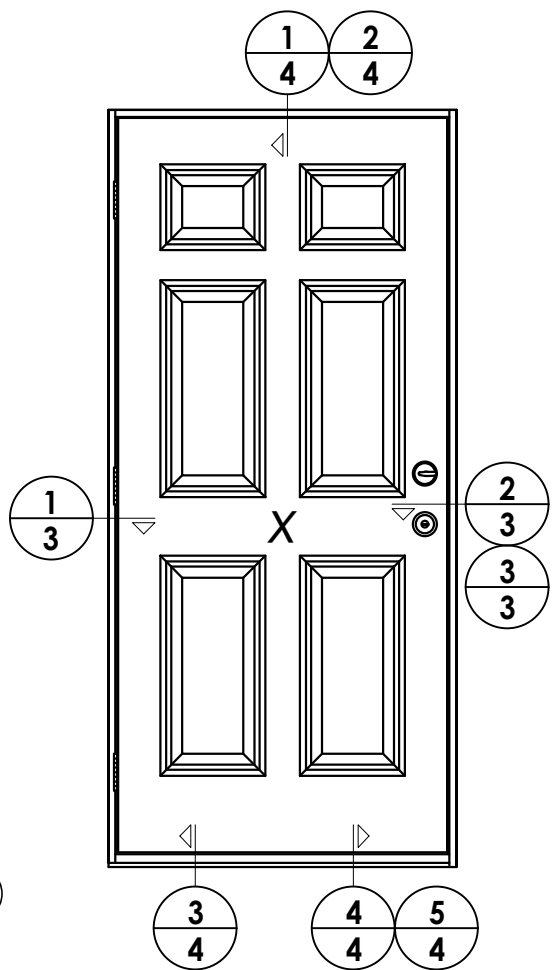
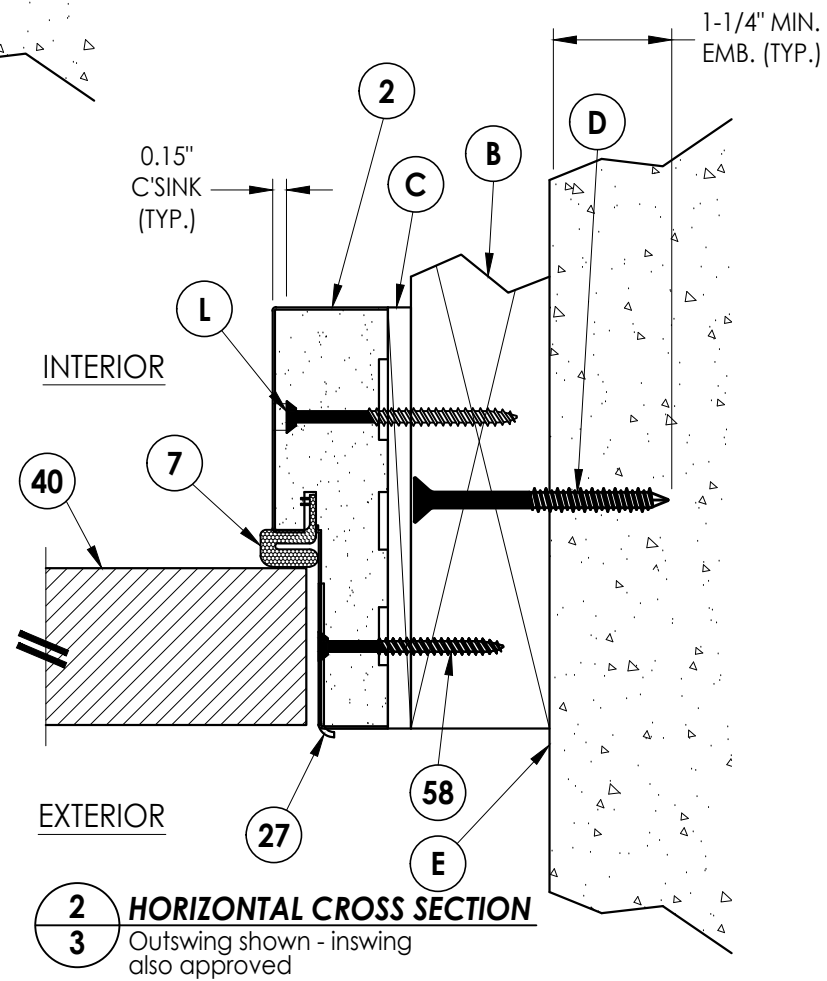
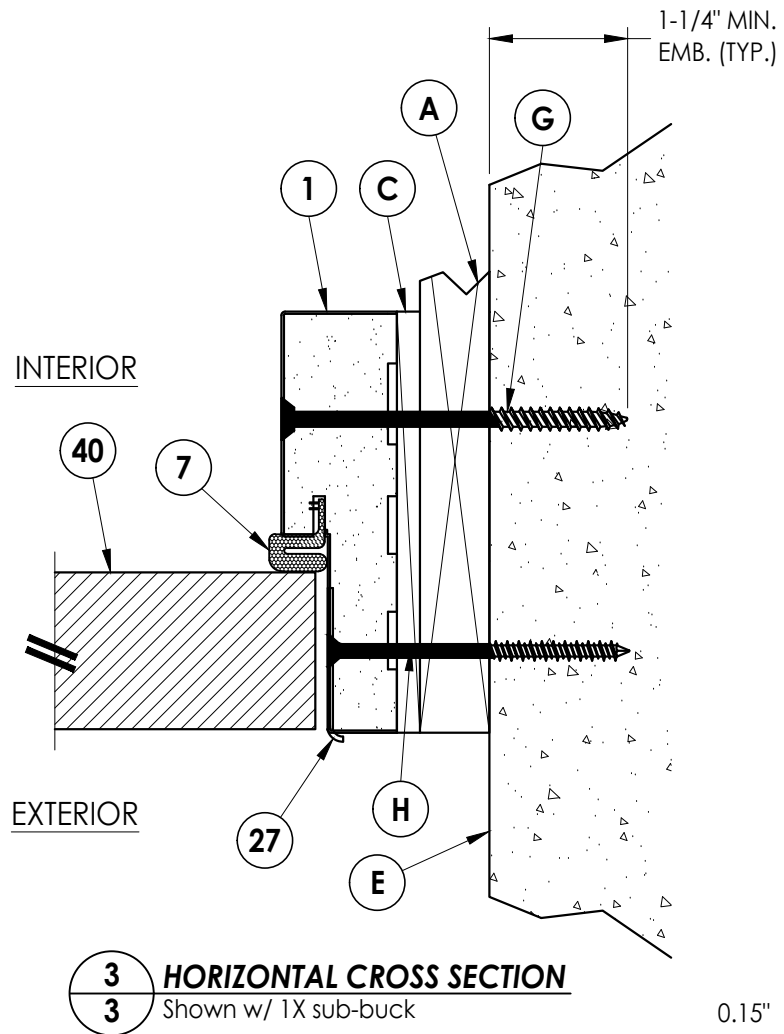
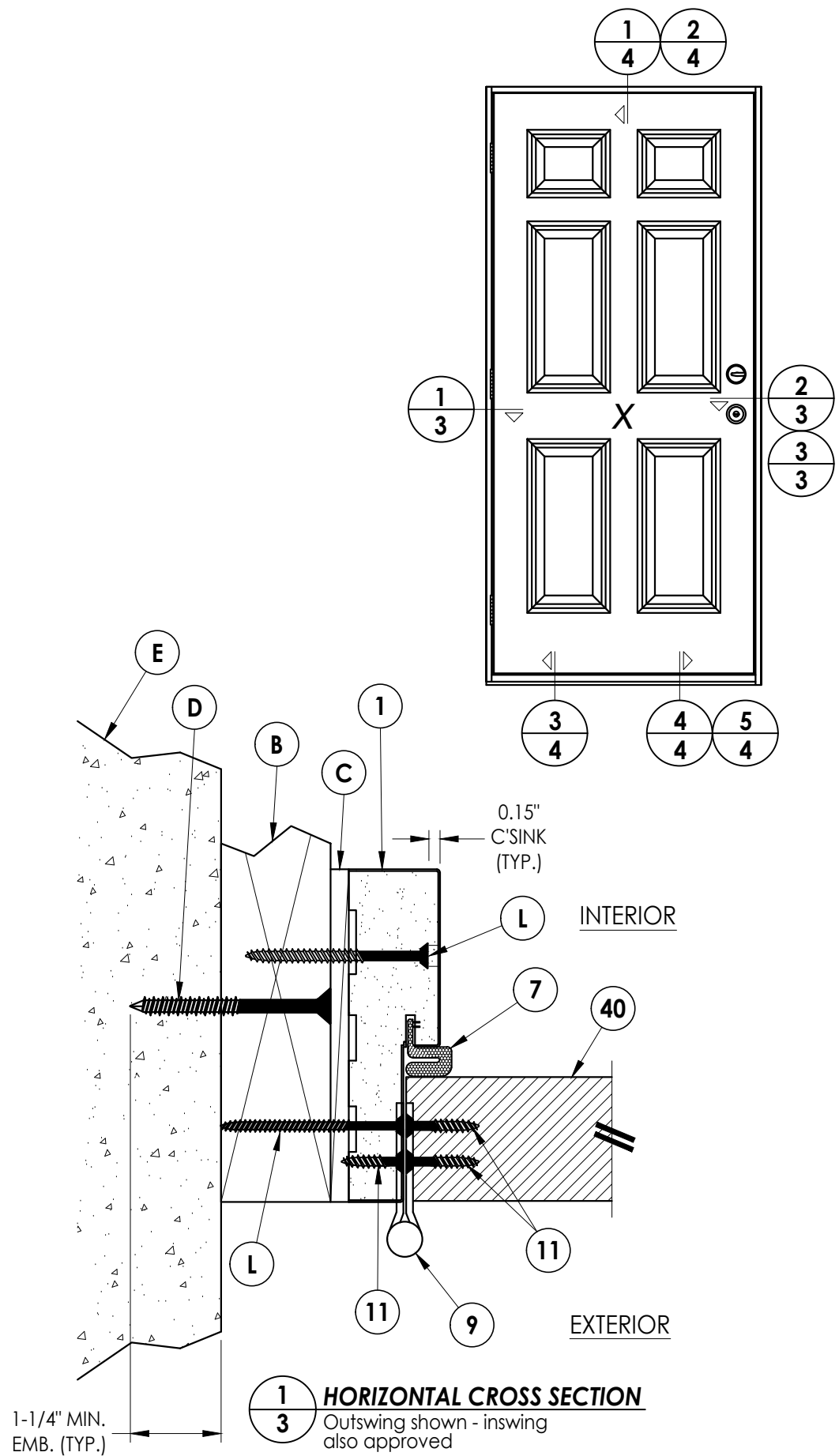
Documents Prepared By:
Lyndon F. Schmidt
P.E. No. 43409

RW BUILDING CONSULTANTS, INC.
P.O. Box 230, Vairico, FL 33595
Phone No.: 813.659.9197
FBPE Registry No. 9813

PRODUCT: WINCORE FIBERGLASS DOOR
PART OR ASSEMBLY: DOOR PANEL DETAILS

NO.	DATE	BY	REVISIONS
4	7/06/23	LFS	UPDATE TO 8TH ED. (2023) FBC
3	7/06/20	LFS	UPDATE TO 7TH ED. (2020) FBC
2	6/1/17	LFS	UPDATE TO 6TH ED. (2017) FBC
1	1/13/15	LFS	UPDATE TO 5TH ED. (2014) FBC

DATE: 05/10/12
SCALE: N.T.S.
DWG. BY: JK
CHK. BY: LFS
DRAWING NO.: FL-15631.1
SHEET 2 OF 8



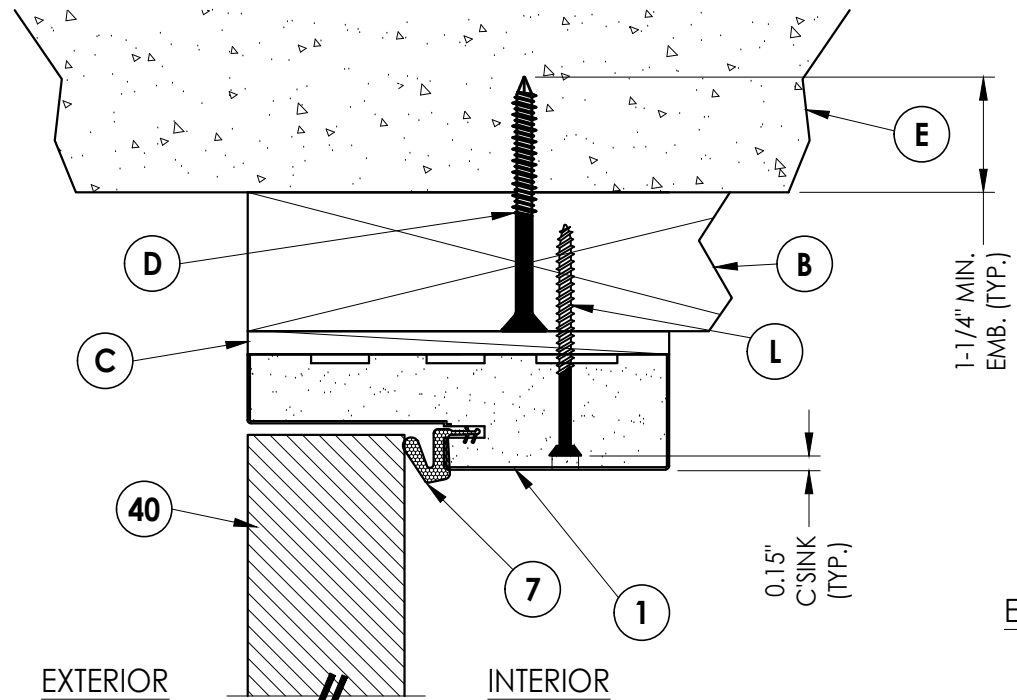
Documents Prepared By:
Lyndon F. Schmidt
P.E. No. 43409

RW
BUILDING CONSULTANTS, INC.
P.O. Box 230, Valrico, FL 33595
Phone No.: 813.659.9197
FBPE Registry No. 9813

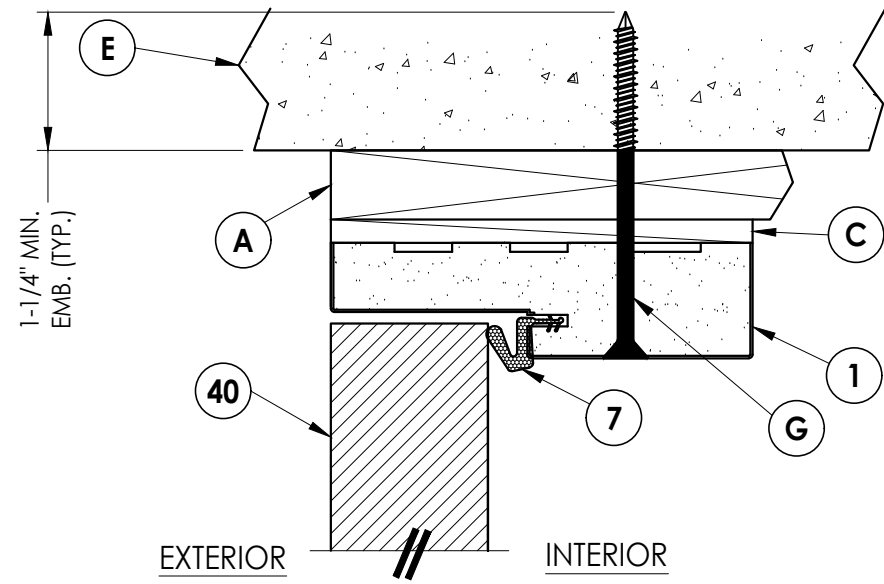
PRODUCT:
WINCORE
FIBERGLASS DOOR
PART OR ASSEMBLY:
HORIZONTAL CROSS SECTIONS

NO.	DATE	BY
4	7/06/23	JK
3	7/06/20	LFS
2	6/1/17	FBC
1	2/6/15	FBC

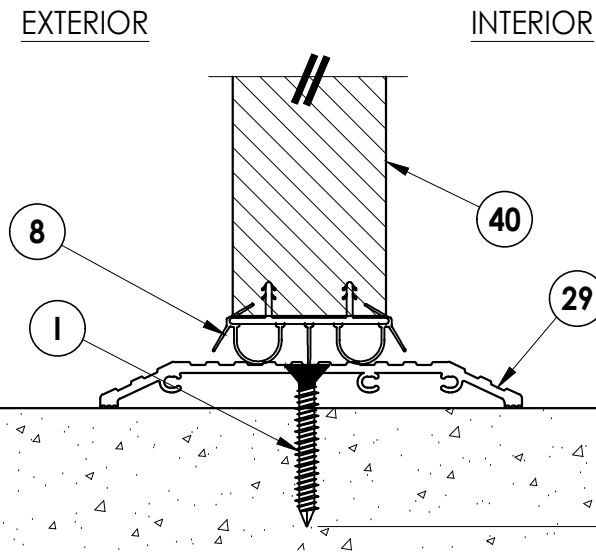
DATE: 05/10/12
SCALE: N.T.S.
DWG. BY: JK
CHK. BY: LFS
DRAWING NO.: FL-15631.1
SHEET 3 OF 8



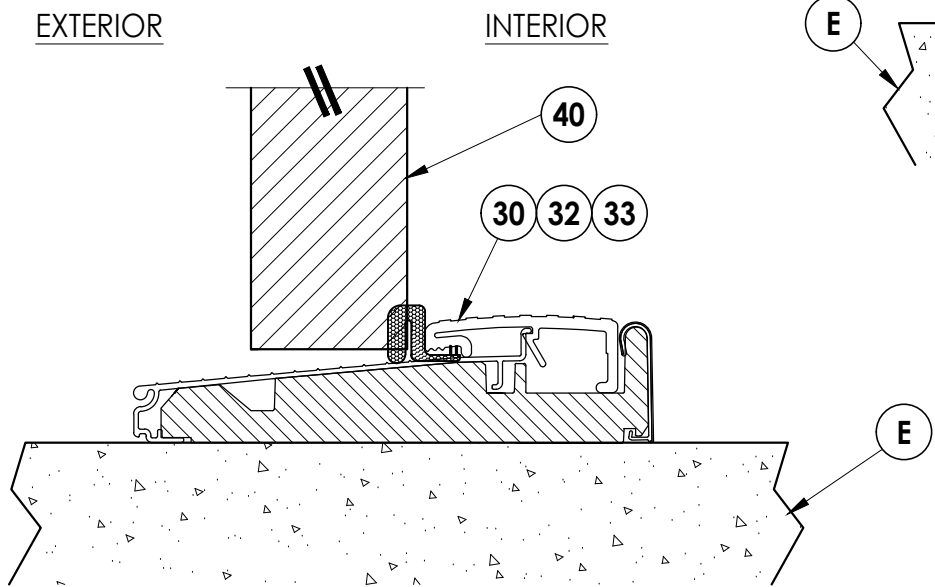
1 VERTICAL CROSS SECTION
4 Outswing shown - inswing also approved



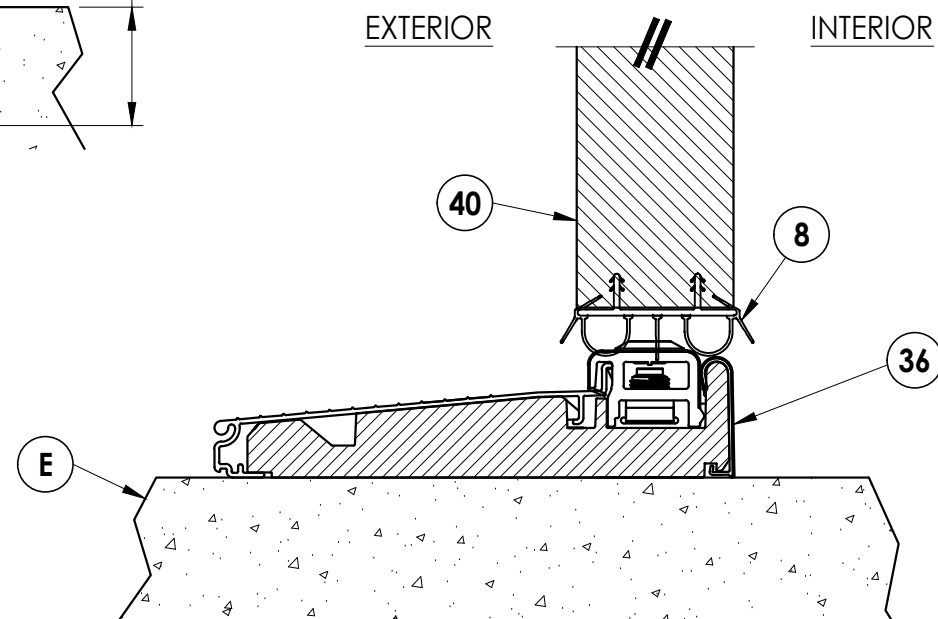
2 VERTICAL CROSS SECTION
4 Shown w/1X sub-buck



5 VERTICAL CROSS SECTION
4 Shown w/ ADA threshold



3 VERTICAL CROSS SECTION
4 Outswing configuration



4 VERTICAL CROSS SECTION
4 Inswing configuration

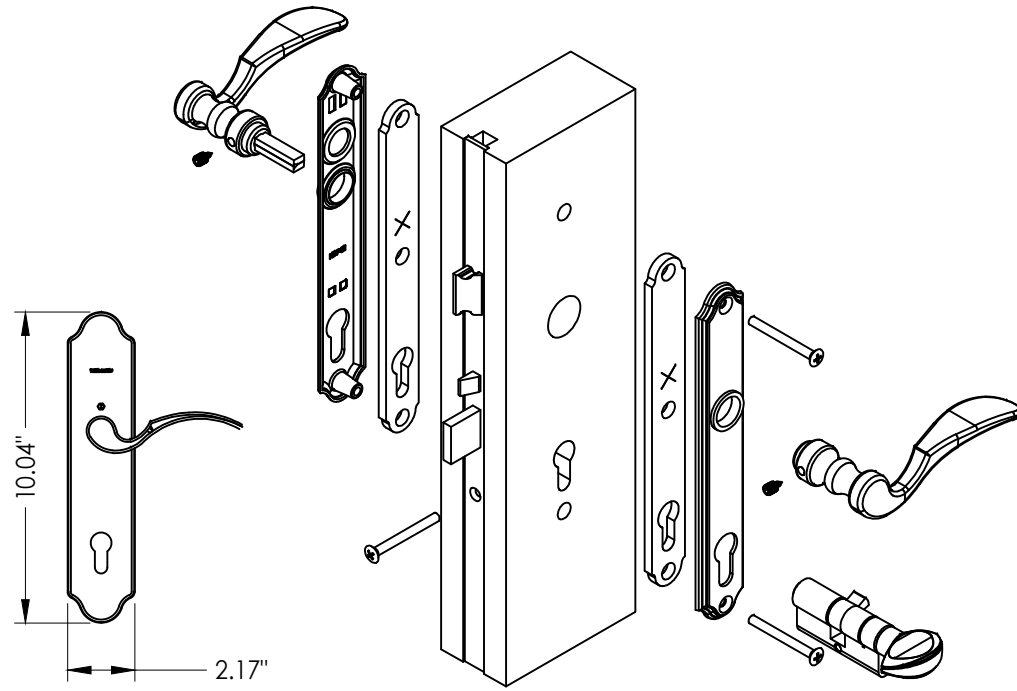
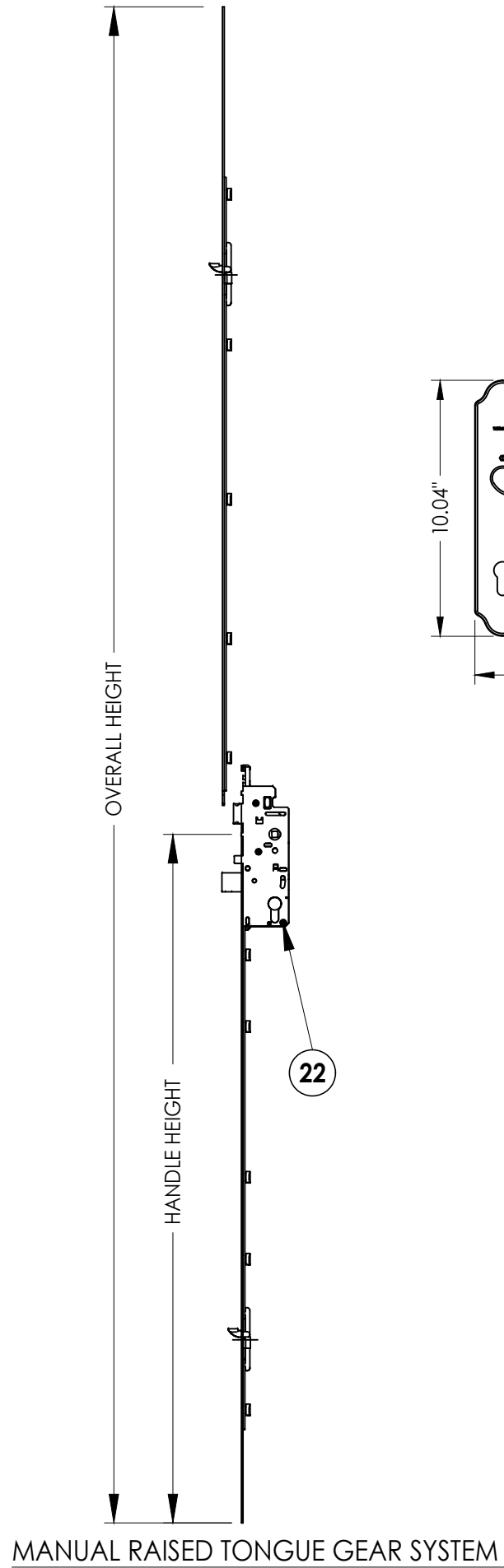
Documents Prepared By:
 Lyndon F. Schmidt
 P.E. No. 43409

RW BUILDING CONSULTANTS, INC.
 P.O. Box 230, Vairico, FL 33595
 Phone No.: 813.659.9197
 FBPE Registry No. 9813

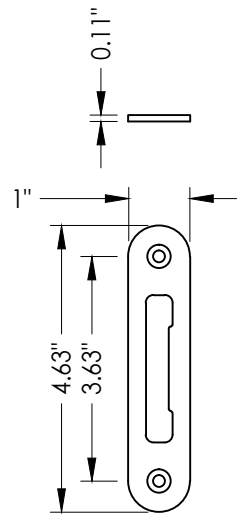
PRODUCT: WINCORE FIBERGLASS DOOR
 PART OR ASSEMBLY: VERTICAL CROSS SECTIONS

NO.	DATE	BY
4	7/06/23	LFS
3	7/06/20	LFS
2	6/1/17	LFS
1	2/6/15	JK

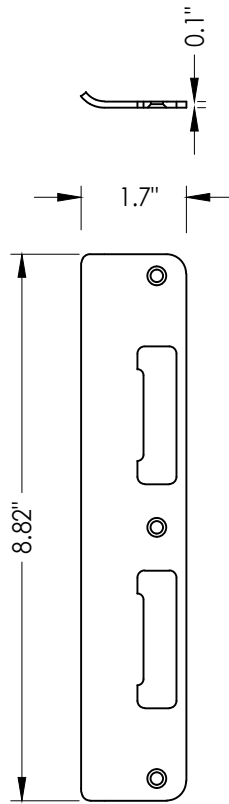
DATE: 05/10/12
 SCALE: N.T.S.
 DWG. BY: JK
 CHK. BY: LFS
 DRAWING NO.: FL-15631.1
 SHEET 4 OF 8



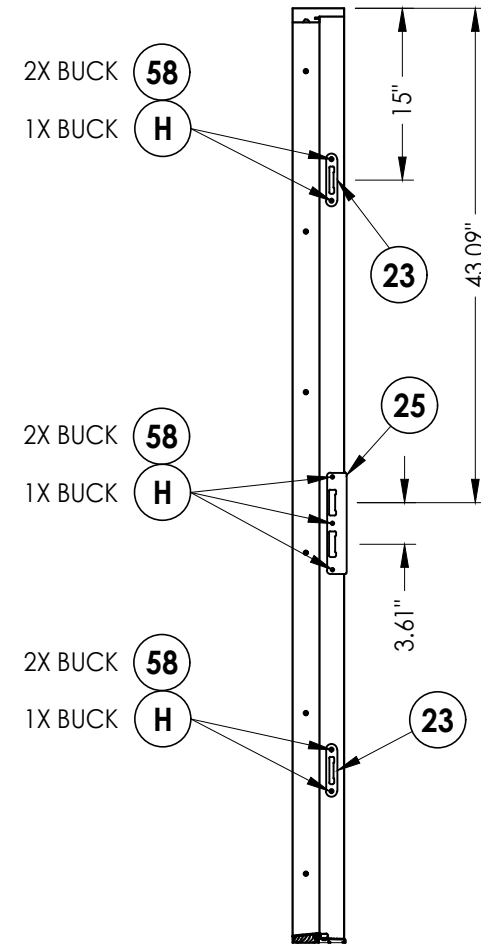
22 HOPPE MULTI-POINT LOCKSET
HLS9000 (3-Point "Tongue")



23 MULTI-POINT STRIKE PLATE



25 LATCH AND DEADBOLT STRIKE PLATE
Tongue system



STRIKE JAMB

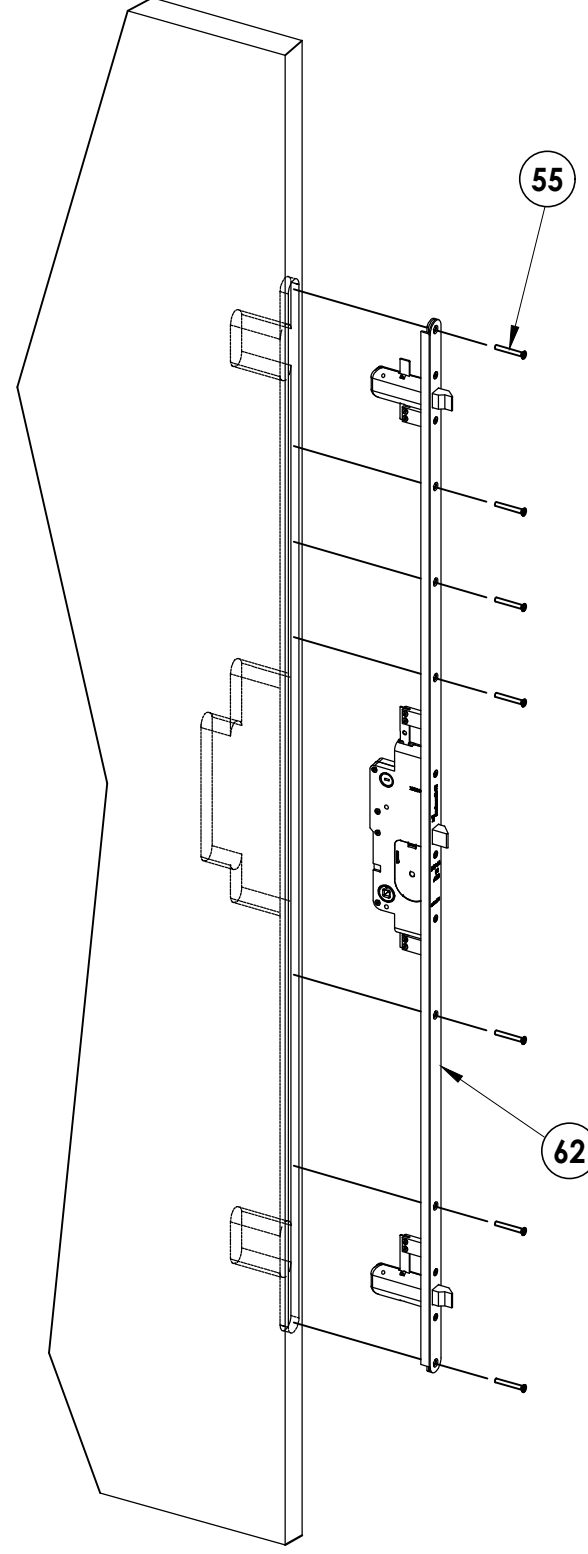
DATE:	05/10/12
SCALE:	N.T.S.
DWG. BY:	JK
CHK. BY:	LFS
DRAWING NO.:	FL-15631.1
SHEET	5 OF 8

NO.	DATE	REVISIONS
4	7/06/23	UPDATE TO 8TH ED. (2023) FBC LFS
3	7/06/20	UPDATE TO 7TH ED. (2020) FBC LFS
2	6/1/17	UPDATE TO 6TH ED. (2017) FBC LFS
1	2/6/15	UPDATE TO 5TH ED. (2014) FBC JK

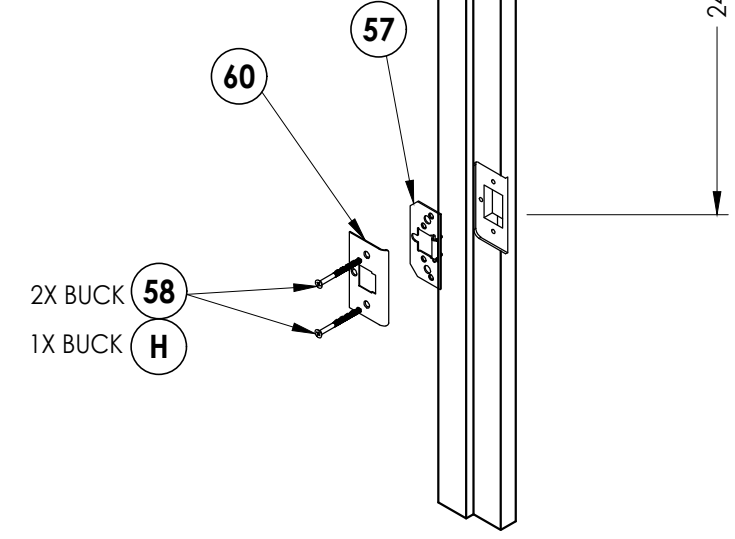
PRODUCT:	WINCORE FIBERGLASS DOOR
PART OR ASSEMBLY:	3-POINT LOCK DETAILS

Documents Prepared By:
Lyndon F. Schmidt
P.E. No. 43409

RW
BUILDING CONSULTANTS, INC.
P.O. Box 230, Valrico, FL 33595
Phone No.: 813.659.9197
FBPE Registry No. 9813



59 ENDURA TRILENNIUM 3000 SERIES
3-Point Lock

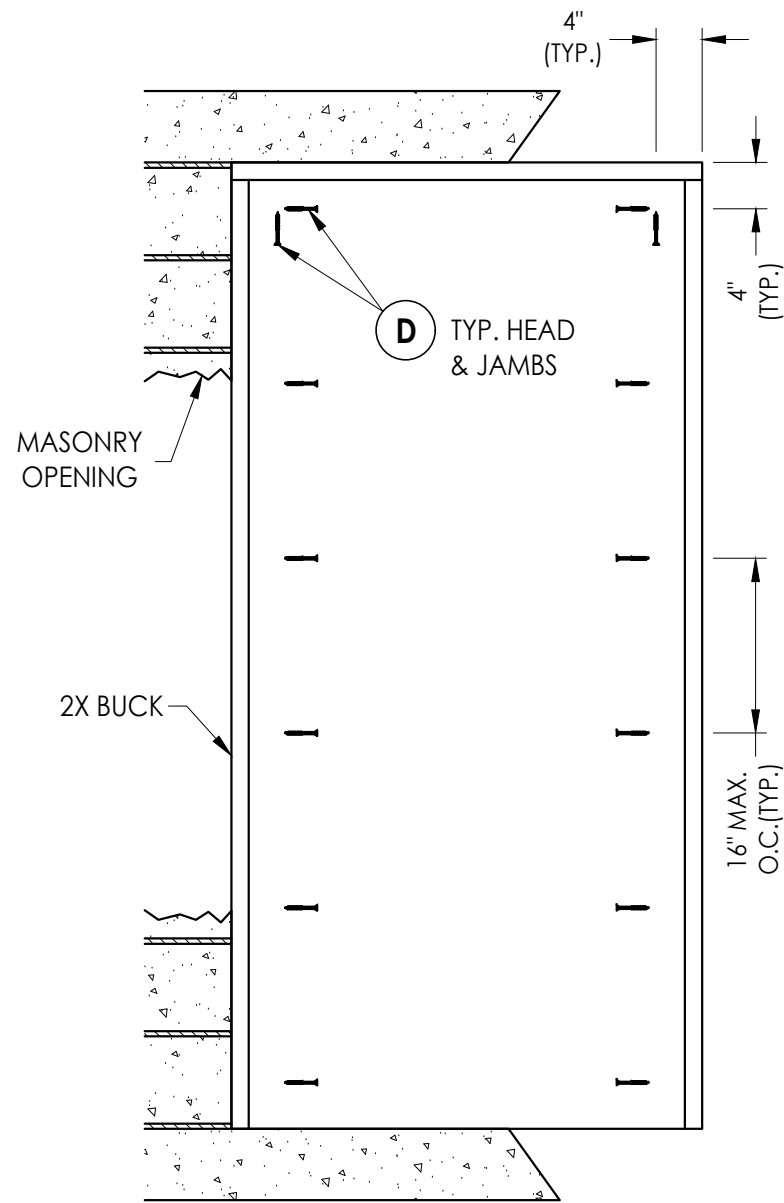


STRIKE JAMB DETAIL

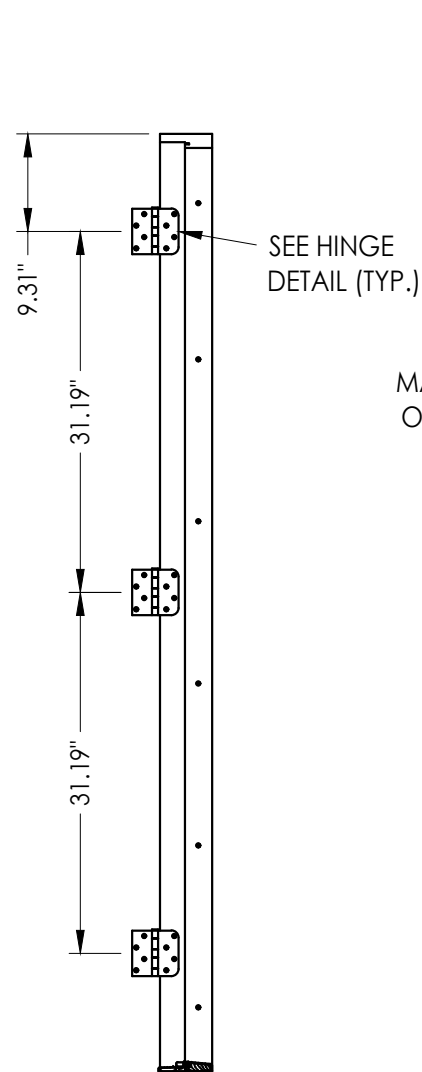
DATE: 05/10/12		REVISIONS	
SCALE: N.T.S.	NO. DATE		
DWG. BY: JK	4	7/06/23	UPDATE TO 8TH ED. (2023) FBC LFS
CHK. BY: LFS	3	7/06/20	UPDATE TO 7TH ED. (2020) FBC LFS
DRAWING NO.: FL-15631.1	2	6/1/17	UPDATE TO 6TH ED. (2017) FBC LFS
SHEET 6 OF 8	1	2/6/15	UPDATE TO 5TH ED. (2014) FBC JK
			BY

PRODUCT: WINCORE FIBERGLASS DOOR
PART OR ASSEMBLY: 3-POINT LOCK DETAILS

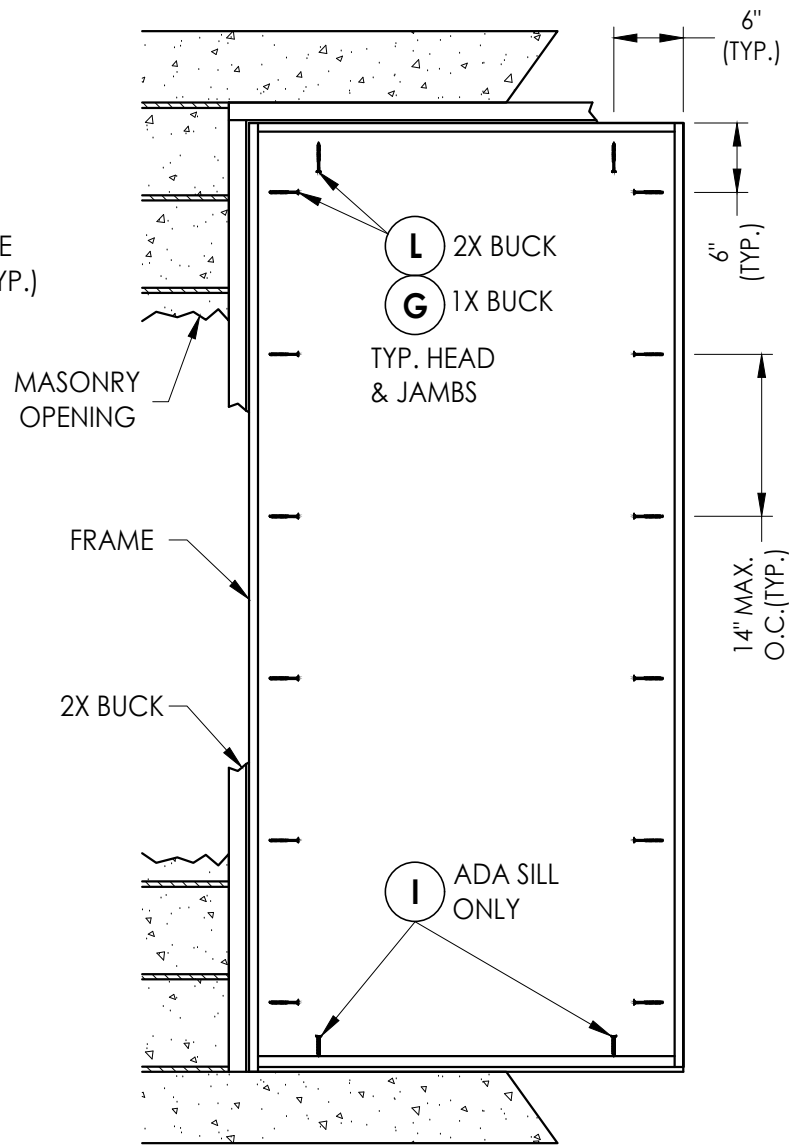
Documents Prepared By:
Lyndon F. Schmidt
P.E. No. 43409
RW
BUILDING CONSULTANTS, INC.
P.O. Box 230, Valrico, FL 33595
Phone No.: 813.659.9197
FBPE Registry No. 9813



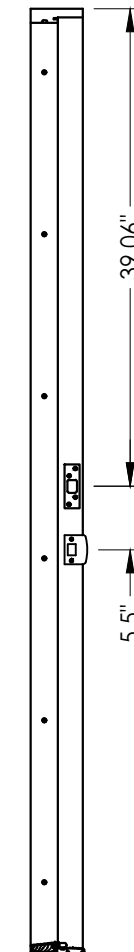
BUCK ANCHORING



HINGE JAMB



FRAME ANCHORING
Masonry construction



STRIKE JAMB
Latch & Deadbolt

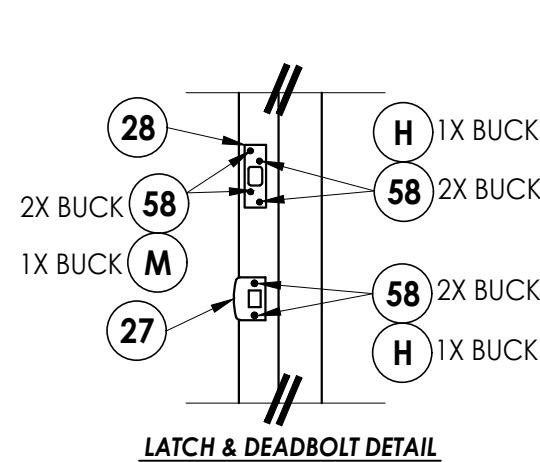
CONCRETE ANCHOR NOTES:

- Concrete anchor locations at the corners may be adjusted to maintain the min. edge distance to mortar joints.
- Concrete anchor locations noted as "MAX. ON CENTER" must be adjusted to maintain the min. edge distance to mortar joints, additional concrete anchors may be required to ensure the "MAX. ON CENTER" dimensions are not exceeded.
- Concrete anchor table:

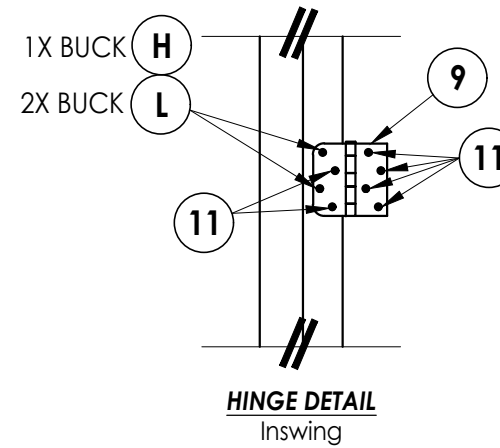
ANCHOR TYPE	ANCHOR SIZE	MIN. EMBEDMENT	MIN. CLEARANCE TO MASONRY EDGE	MIN. CLEARANCE TO ADJACENT ANCHOR
ITW TAPCON®	3/16"	1-1/4"	3"	1-1/2"
ITW TAPCON®	1/4"	1-1/4"	2"	4"

WOOD SCREW INSTALLATION NOTES:

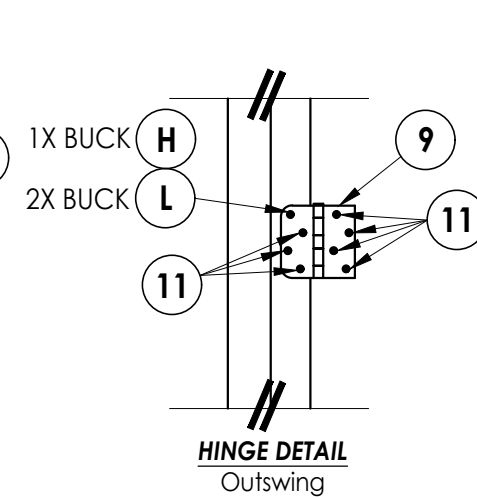
- Maintain a minimum 5/8" edge distance, 1" end distance, & 1" o.c. spacing of wood screws to prevent the splitting of wood.



LATCH & DEADBOLT DETAIL



HINGE DETAIL
Inswing



HINGE DETAIL
Outswing

Documents Prepared By:
Lyndon F. Schmidt
P.E. No. 43409

RW
BUILDING CONSULTANTS, INC.
P.O. Box 230, Valrico, FL 33595
Phone No.: 813.659.9197
FBPE Registry No. 9813

PRODUCT:
WINCORE
FIBERGLASS DOOR
PART OR ASSEMBLY:
BUCK AND FRAME ANCHORING

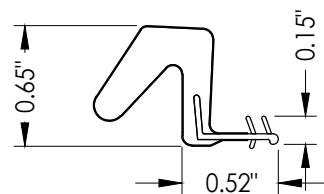
NO.	DATE	BY
4	7/06/23	LFS
3	7/06/20	LFS
2	6/1/17	LFS
1	2/6/15	JK

REVISIONS

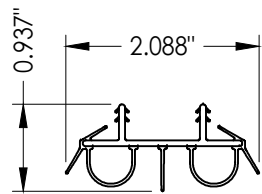
DATE: 05/10/12
SCALE: N.T.S.
DWG. BY: JK
CHK. BY: LFS
DRAWING NO.: FL-15631.1
SHEET 7 OF 8

BILL OF MATERIALS

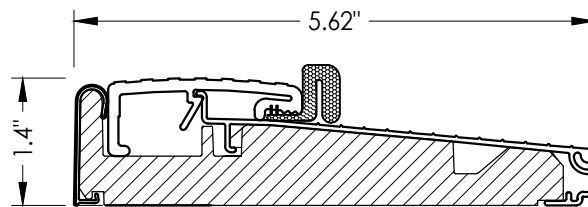
ITEM #	DESCRIPTION	MATERIAL
A	1X BUCK (G >= 0.55)	WOOD
B	2X BUCK (G >= 0.55)	WOOD
C	1/4" MAX. SHIM SPACE	-
D	1/4" X 2-3/4" PFH ITW CONCRETE SCREW	STEEL
E	MASONRY - 3,000 PSI MIN. CONCRETE CONFORMING TO ACI 301 OR HOLLOW BLOCK CONFORMING TO ASTM C90	CONCRETE
G	1/4" X 3-3/4" PFH ITW CONCRETE SCREW	STEEL
H	3/16" x 3-1/4" PFH ITW CONCRETE SCREW	STEEL
I	1/4" X 1-3/4" PFH ITW CONCRETE SCREW	STEEL
L	#8 X 2-1/2" PFH WOOD SCREW (1.15" MIN. EMBEDMENT)	STEEL
1	POLY FIBER JAMB	POLY FIBER
7	WEATHERSTRIP	FOAM
8	DOOR BOTTOM SWEEP	VINYL
9	4" X 4" BUTT HINGE	STEEL
11	#9 X 3/4" PFH WOOD SCREW	STEEL
22	HOPPE - HLS9000 (3-PT. TONGUE) MULTI-POINT LOCKSET	STEEL
23	MULTI-POINT STRIKE PLATE (TONGUE SYSTEM)	STEEL
25	LATCH AND DEADBOLT STRIKE PLATE (TONGUE SYSTEM)	STEEL
27	LATCH STRIKE PLATE	STEEL
28	DEADBOLT STRIKE PLATE (SECURITY)	STEEL
29	ADA THRESHOLD	ALUM
30	OUTSWING THRESHOLD	ALUM/WOOD
32	OUTSWING THRESHOLD	ALUM/WOOD
33	OUTSWING THRESHOLD	ALUM/COMP
36	INSWING THRESHOLD	ALUM/COMP
40	DOOR PANEL - SEE DOOR PANEL DETAIL SHEET FOR CONSTRUCTION DETAILS	-
55	#10 X 1-1/2" PFH SCREW	STEEL
57	BACKING PLATE	STEEL
58	#8 X 2" PFH WS	STEEL
59	ENDURA TRIENNIIUM SERIES 3000 - 3 POINT LOCK	
60	MULTI-POINT STRIKE PLATE	STEEL
62	LOCK ASSEMBLY	STEEL



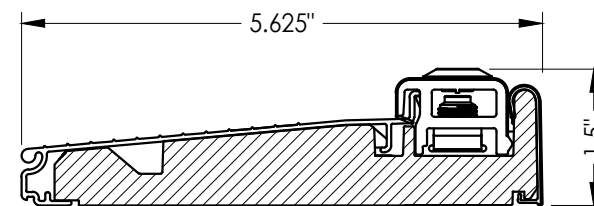
7 WEATHERSTRIP
Endura Force 5



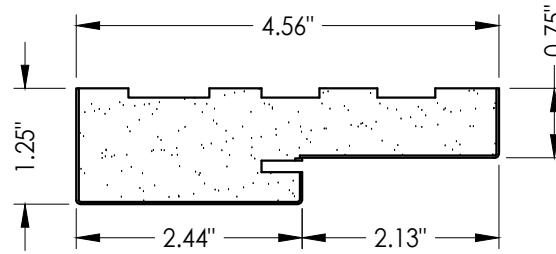
8 DOOR BOTTOM SWEEP



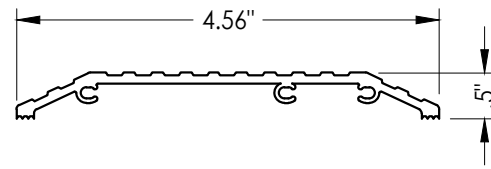
33 OUTSWING THRESHOLD
Endura (Z-Series)



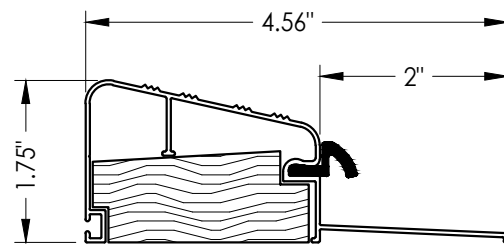
36 INSWING THRESHOLD
Endura (Z-Series)



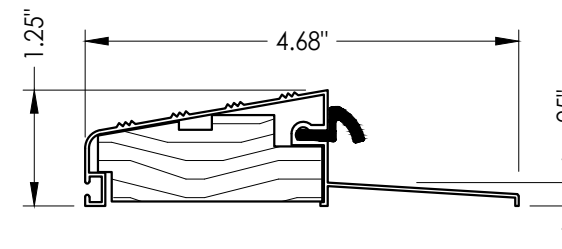
1 POLY FIBER JAMB
Plastpro



29 ADA THRESHOLD
DLP



30 OUTSWING THRESHOLD
DLP (QOSR)



32 OUTSWING THRESHOLD
DLP (QOSH)

Documents Prepared By:
Lyndon F. Schmidt
P.E. No. 43409

RW BUILDING CONSULTANTS, INC.
P.O. Box 230, Vairico, FL 33595
Phone No.: 813.659.9197
FBPE Registry No. 9813

PRODUCT: WINCORE FIBERGLASS DOOR
PART OR ASSEMBLY: BILL OF MATERIALS & COMPONENTS

NO.	DATE	BY	REVISIONS
4	7/06/23	LFS	UPDATE TO 8TH ED. (2023) FBC
3	7/06/20	LFS	UPDATE TO 7TH ED. (2020) FBC
2	6/1/17	JK	UPDATE TO 6TH ED. (2017) FBC
1	2/6/15	JK	UPDATE TO 5TH ED. (2014) FBC

DATE: 05/10/12
SCALE: N.T.S.
DWG. BY: JK
CHK. BY: LFS
DRAWING NO.: FL-15631.1
SHEET 8 OF 8